

**P-500 gun.**

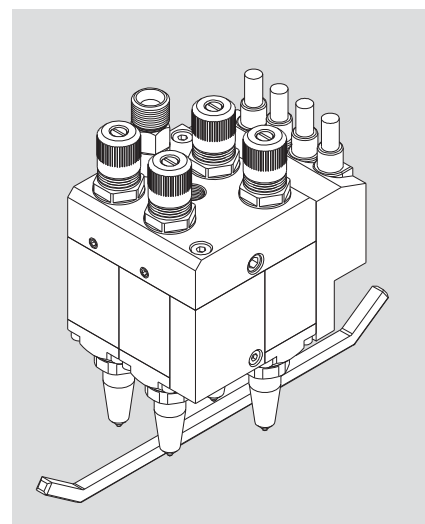
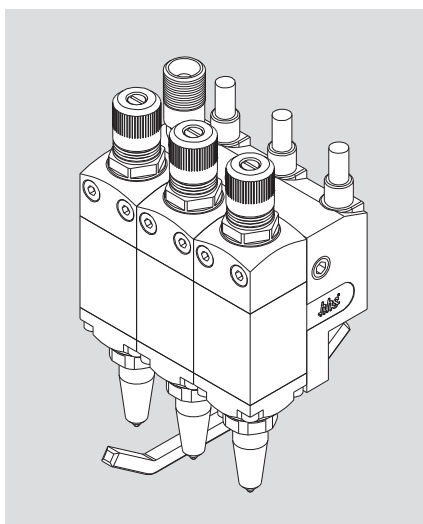
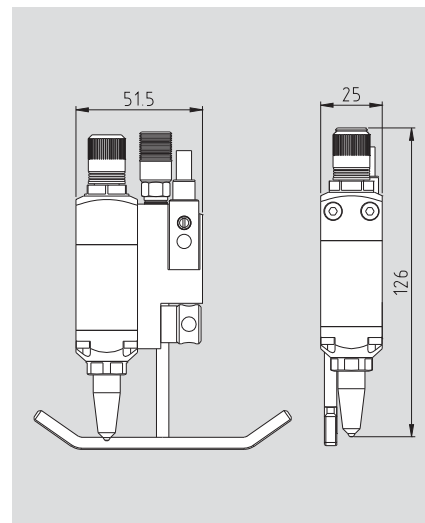
The power gun for cold glue application.  
Fast, precise and efficient.

# Electrical cold glue application gun P-500 for dot and line gluing

The robust glue applicators with extremely high performance reserves guarantee greatest production availability with minimum maintenance. Dot mode allows application of tiny amounts of glue. If more glue is required, optimised valve flow combined with a maximum glue pressure of 50 bar (725 psi) provides a wide setting range, allowing adjustment of the applied glue amount as required by product and machine speed at any time.

## P-500

- for glues up to a viscosity of 4000 mPa.s
- max. 500 cycles per second
- wear-free nozzle seal with excellent cut-off performance
- reduced glue consumption in dot mode
- exact dosing from standstill to max. speed with dot to line switch-over
- robust design provides ease of maintenance and long service life
- integrated control indication simplifies diagnosis and monitoring of operation
- manual activation and purging through an integrated micro switch
- multi-nozzle heads in single or double row arrangement available



All specifications subject to change without prior notice.

## Specifications

Range	Description	Adhesive connection	max. pressure	max. frequency*
P-500	cold glue application gun	G1/4"	50 bar	500 cycles/sec.

\* The number of cycles depends on the adhesive viscosity.

**Baumer hhs offers an extensive range of gluing and quality assurance systems.**  
**For more information see [www.baumerhhs.com](http://www.baumerhhs.com)**



Baumer hhs GmbH

Adolf-Dembach-Straße 7 · 47829 Krefeld · Germany  
 Phone +49 (0)2151 4402-0 · Fax +49 (0)2151 4402-111  
 info.de@baumerhhs.com · www.baumerhhs.com